

BRIX by Kensaku Oshiro 2013



Multipurpose armchair for the home or business establishments.

Thanks to its geometric design, many units can be grouped together to create elegant configuration in common areas.

Its arms in different and very closely researched sizes mean that you can work on your tablet on the wide arm and even have an auxiliary table with a built-in support.

KENSAKU OSHIRO



He has participated in numerous exhibitions and competitions and has obtained a range of prestigious international awards such as: Design Report Award (2006), Elle Décor France Design Award (2006), Red Dot Award (2008), IF Design Award (2009), Young & Design (2012), Cristalplant + Poliform Design Contest (2012) and Gandia Blasco Outdoor Design Contest (2012).

Kensaku Oshiro works with Frag, Glas Italia, Ligne Roset, Mogg, Poliform, Viccarbe, and Varaschin.

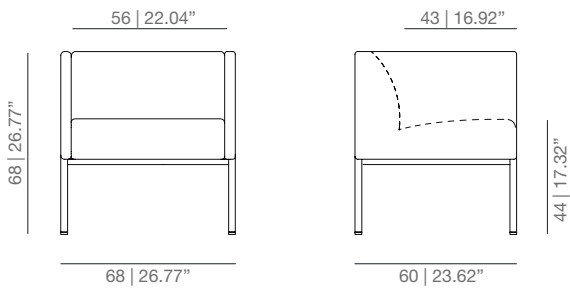
Kensaku Oshiro was born in Okinawa, Japan, in 1977. He moved to Milan, Italy, in 1996.

After gaining a Master's degree in Industrial Design at the Scuola Politecnica di Design in Milan in 1999, he began working with various studios until 2004, when he joined the design team at Lissoni Associati where he worked until mid-2012.

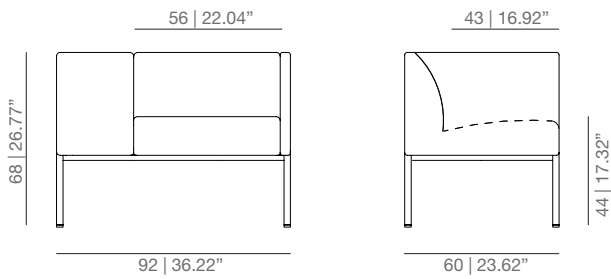
In June 2012, Kensaku moved to London to join BarberOsgerby studio, where he continues his career as a freelancer.

DIMENSIONS

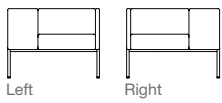
BRIXE armchair thin



BRIX armchair

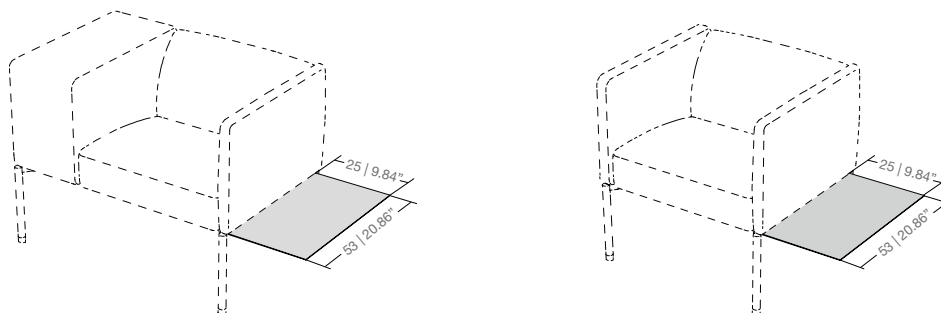


The BRIX armchair can be served with the wide arm to the left or to the right. Indicate the desired option in the order, remembering that the name left / right is understood by looking at the element for manufacturing purposes.



BRIM table

The auxiliary table is manufactured in lacquered MDF in the colours of our collection and is symmetrical so it can be used on the right or the left alike.



TECHNICAL INFO

Interior structure of arms, back and seat in solid wood.
 Woven seat and back structure. We use PEFC certified wood.
 Structure in calibrated steel tube powder coated in thermoreinforced polyester.
 Expanded polyurethane foam in different densities.
 Polyester fibre covering.
 Fabric or leather.
 Transparent injection polypropylene tips.
 Auxiliary table manufactured in lacquered MDF.

FINISHES

UPHOLSTERY

Check upholstery samples.

STRUCTURE



White
RAL 9003



Black
RAL 9005

TABLE

Lacquered



White
RAL 9003



Black
RAL 9005



Grey
RAL 9006



Sand
NCS 3005Y50R



Tobacco
RAL 8028



Smoke grey
RAL 1019



Silver
RAL 9006



Red
RAL 3001



Mustard
RAL 1012



Green
RAL 6007



Blue
RAL 5024

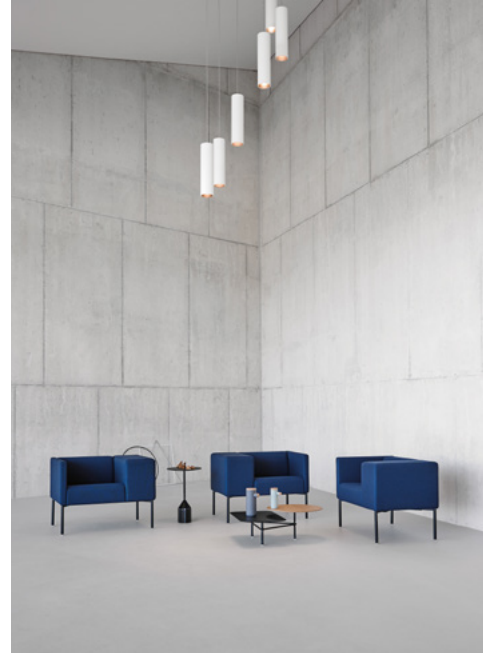


Bronze

CERTIFICATE

UNE EN 16139:13
ANSI-BIFMA X5.4-2012





PROJECTS

Auditorio Teulada Moraria | Pop Up Halbinsel Berlin | Auditorio de Castellón | Molino Real | NH Milano Fiera | Hotel Caro | Stulens | NH Milano Congress Centre | Toronto Showroom | Hub Showroom | ViccarbeStudio | Showroom Moore | Buro Modern | Office Hoofdorp Holland