

FEDELE by Víctor Carrasco 2009



Attractive upholstered armchair, sofa and pouf.

Thanks to its balanced proportions, this collection is ideal for the domestic and commercial markets.

Perfect for hotel rooms, lobbies and cafes.

VICTOR CARRASCO



Born in Valencia (Spain) in 1974, Victor Carrasco began his professional career after graduating Cum Laude in Industrial Design Engineering at the Polytechnic University of Valencia.

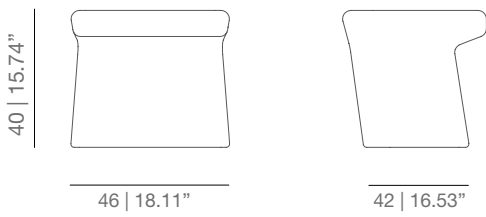
Shying away from trends and fads, he has developed and positioned international brands with remarkable added value, thanks to his passion for synthesis, sustainable growth and his pragmatic vision of the future.

Since 2007, he has been combining his position as strategic director of Viccarbe with that of Design Director for the prestigious American multinational Coalesse (Steelcase Inc.). Likewise, as an industrial designer, he has collaborated with numerous international companies such as Boffi, Glas Italia, Gandia Blasco, LZF, Vibia and Vaalva, among others.

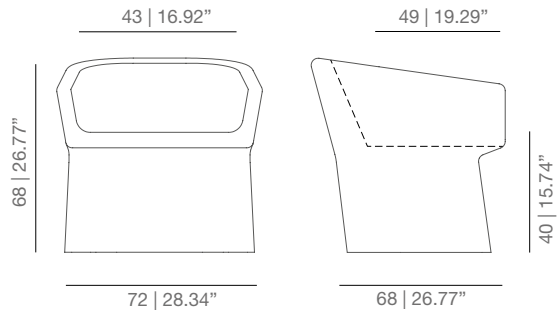
He was the recipient of the Prince Felipe Award for Business Excellence in 2008.

DIMENSIONS

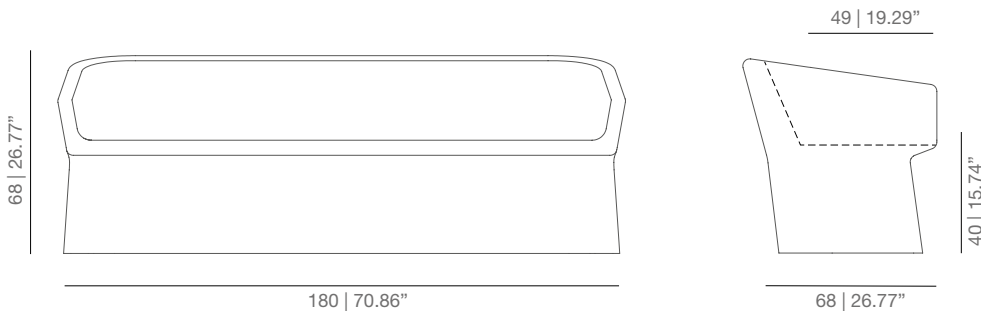
FEP pouf



FE armchair



FES sofa



TECHNICAL INFO

Interior structure in solid wood. We use PEFC certified wood.
 Woven seat structure.
 Interlining.
 Expanded polyurethane foam in different densities.
 Velour.
 Fabric or leather.

FINISHES

UPHOLSTERY

Check upholstery samples

CERTIFICATE

UNE EN 15373:07





PROJECTS

Cosín Studio | TesoroBlu Hotel spa | DZINE Showroom | Showroom Linea Los Angeles | G.V House | Auditorio y Palacio de Congresos de Castellón | Gran Hotel Havana Silken